

Variantes

- ✓ ROP1
- ✓ ROP2
- ✓ ROP3
- ✓ ROP4
- ✓ ROP5
- ✓ ROP6
- ✓ ROP7
- ✓ ROP8
- ✓ ROP9



Descripción

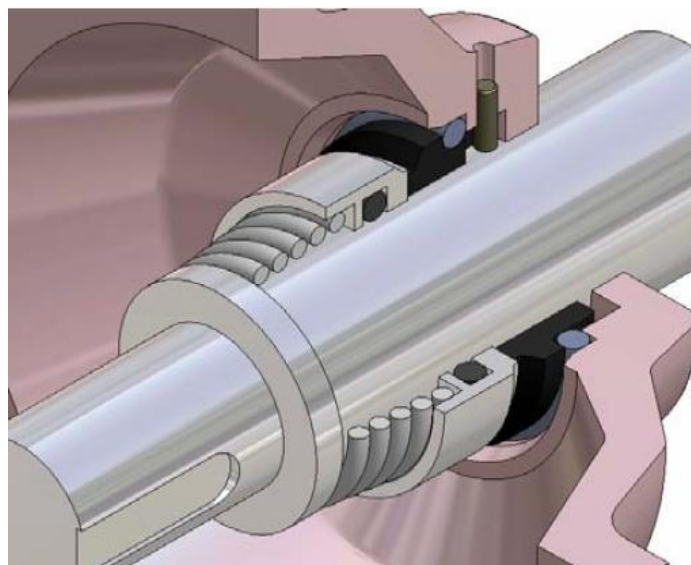
Cierre económico con un amplio rango de aplicaciones. Presenta una gran variedad de combinaciones de caras de roce y de posibilidades de montaje por lo que resulta muy versátil.

Características

- ✓ Cierre simple
- ✓ Montaje interior
- ✓ No equilibrado
- ✓ Cierre secundario por junta torica
- ✓ Muelle conico
- ✓ Dependiente del sentido de rotación

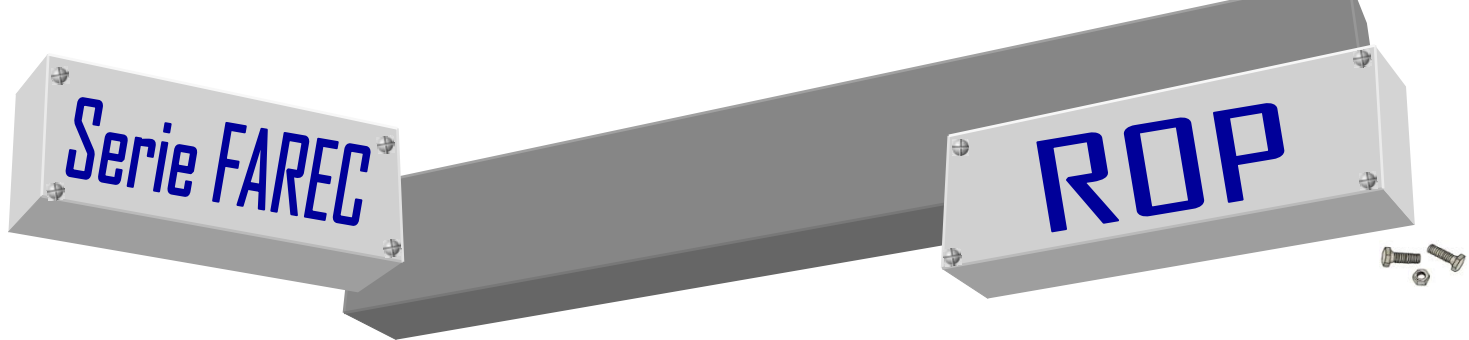
Limites de operación

| | |
|-----------------------------|--------|
| $P_{m\acute{a}x}$ | 12 bar |
| $T_{m\acute{a}x}^{1)}$ | 180°C |
| $T_{m\acute{i}n}^{1)}$ | -35°C |
| $V_{m\acute{a}x}$ | 15 m/s |
| $\varnothing_{m\acute{i}n}$ | 6 mm |
| $\varnothing_{m\acute{a}x}$ | 160 mm |

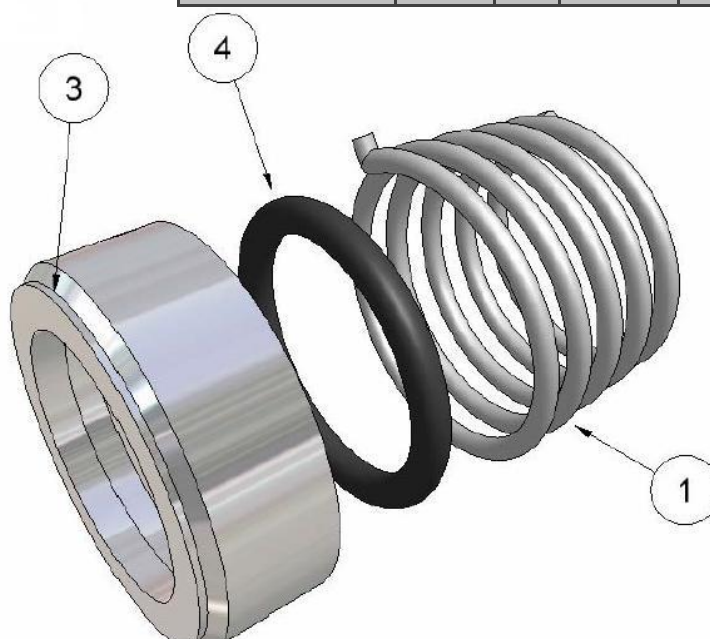
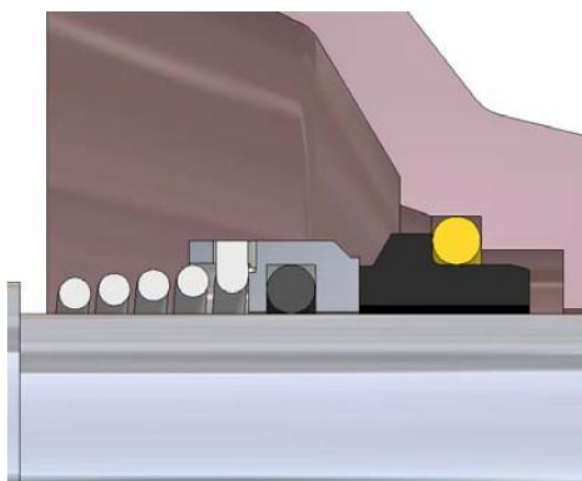


Nota: Se recomienda no hacer simultáneos dos o más límites de operación.

1) Depende del material utilizado



| Combinación caras de roce | | | | |
|---------------------------|---|---|---|------|
| CR Estacionario (7) | | | | |
| CR Giratorio (6) | K | V | Q | A, B |
| K | - | - | - | * |
| A, B | * | * | * | - |
| U | - | - | * | * |
| Q | - | - | * | * |



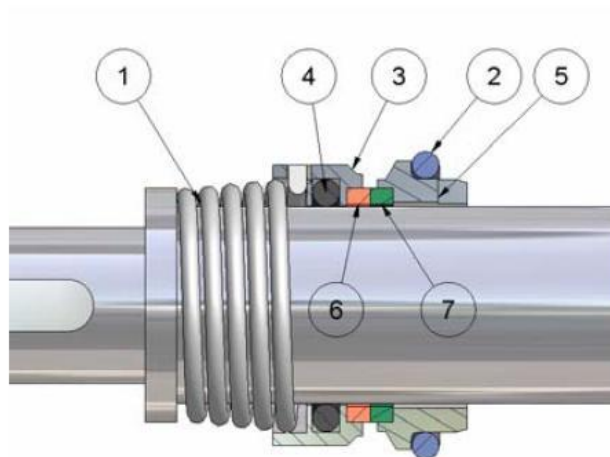
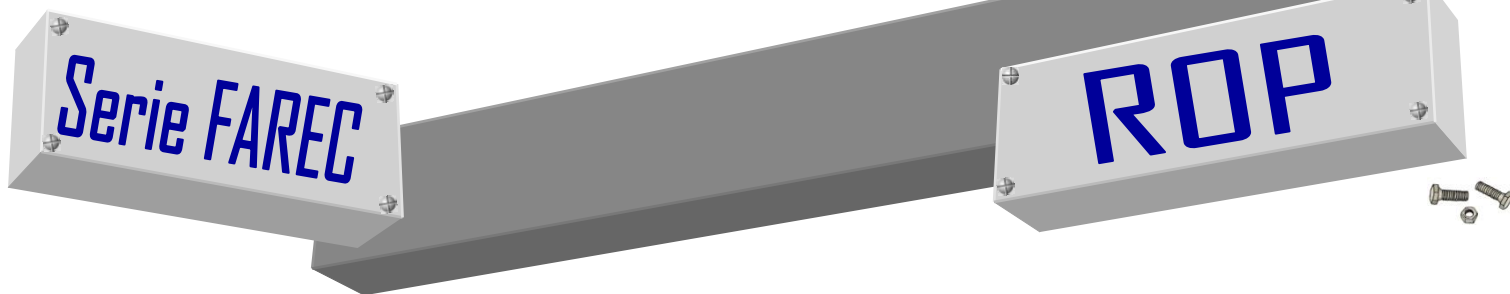
| Componentes | | | |
|-------------|---------------------------|----------------------------|------------------------|
| Item | Descripción | Item ¹⁾ | Material ²⁾ |
| 1 | Resorte | 478 [®] , 479 (L) | G, F, M |
| 2 | OR Giratorio | 412.2 | BEKNPSVMI |
| 3 | OR Estacionario | 412.2 | BEKNPSVMI |
| 4 | Giratorio | 472 | FGK |
| 5 | Estacionario | 475 | ABUQ |
| 6 | Cara roce Giratorio | 472 | ABUQ |
| 7 | Cara de roce Estacionario | 475 | ABUQ |
| 8 | Arandela | 474 | FG |
| 9 | Anillo arrastre | 485 | FG |
| 10 | Tornillo prisionero | 904 | FG |

- ✓ **ROD+ROP4:** No se ajustan a cajas DIN 24960. El estacionario SRL lleva anclaje antigiro mientras que el SRC no.
- ✓ **ROPS+ROPS9:** Se ajustan a cajas DIN 24960 mediante los estacionarios SDL y SDC.

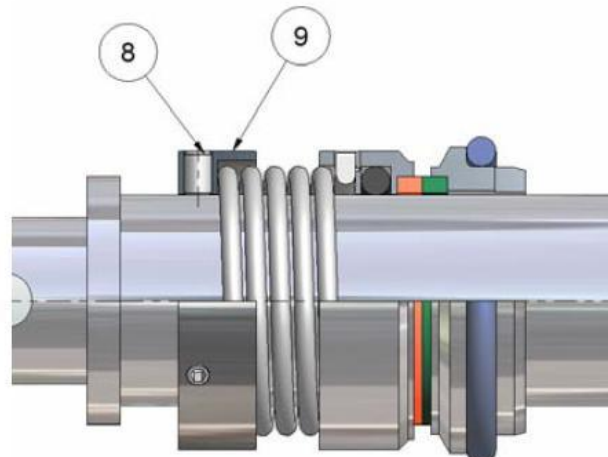
¹⁾Item s/DIN 24250

²⁾Material s/ DIN 24960

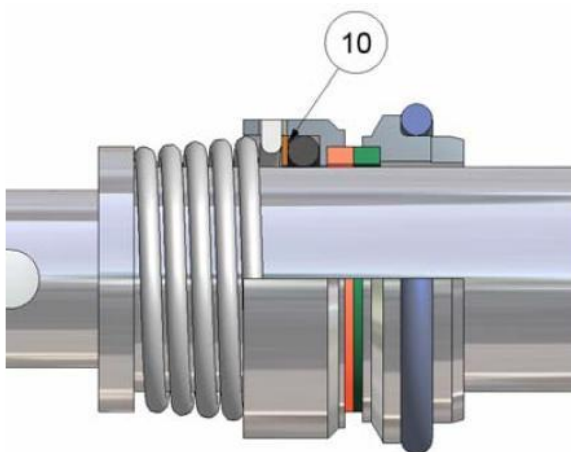




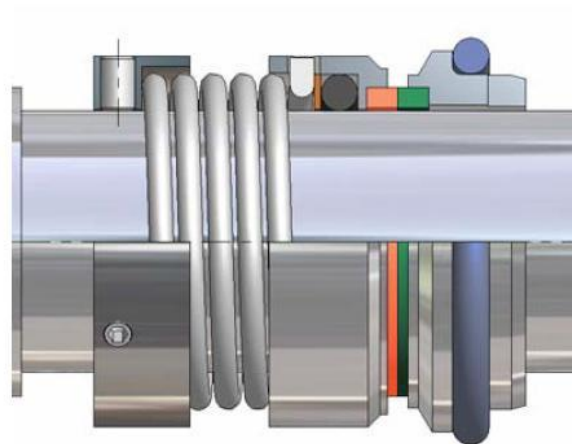
ROP1, ROP6: Modelos equivalentes al TC40 y al TC45, respectivamente, pero con caras de roce insertadas en el giratorio y el estacionario.



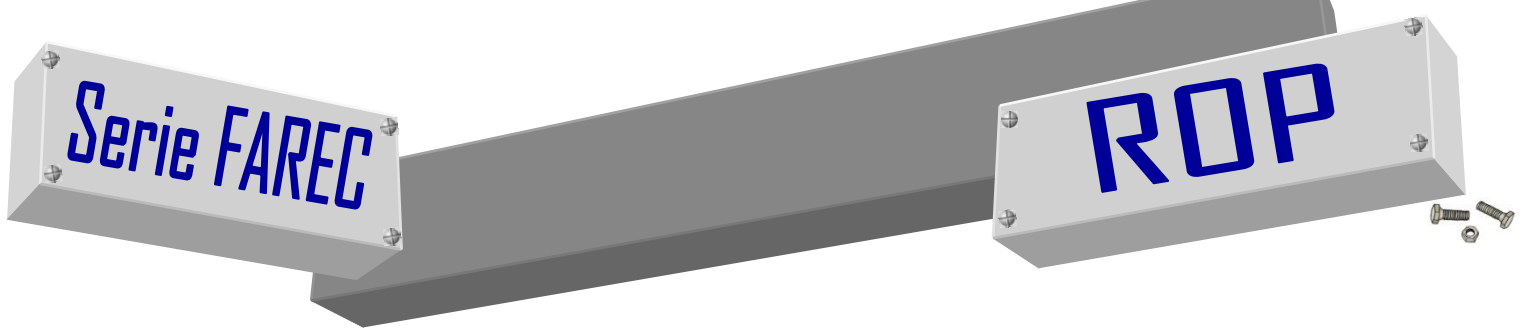
ROP2, ROP7: Modelos equivalentes al ROP1 y al ROP6, respectivamente, pero con muelle cilíndrico y anillo de arrastre.



ROP3, ROP8: Modelos equivalentes al ROP1 y al ROP6, respectivamente, pero con caras de roce insertadas en el giratorio y el estacionario.

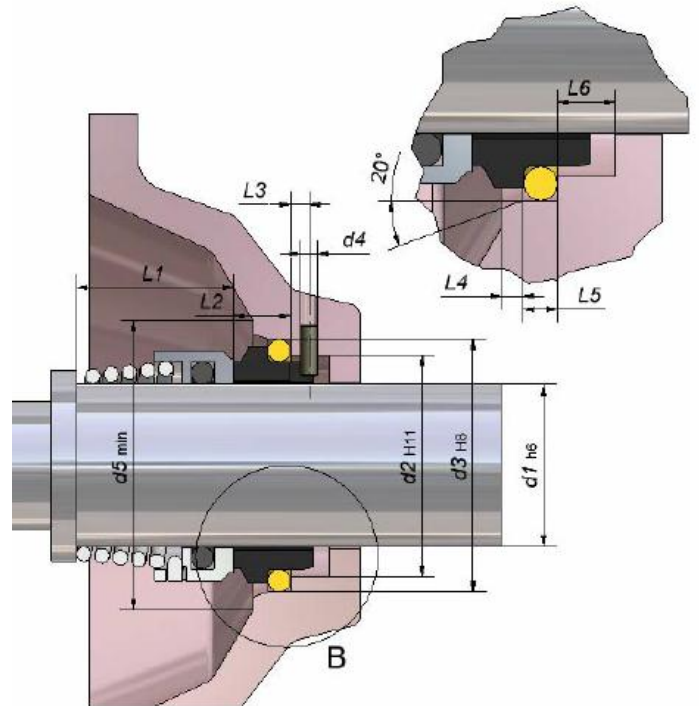


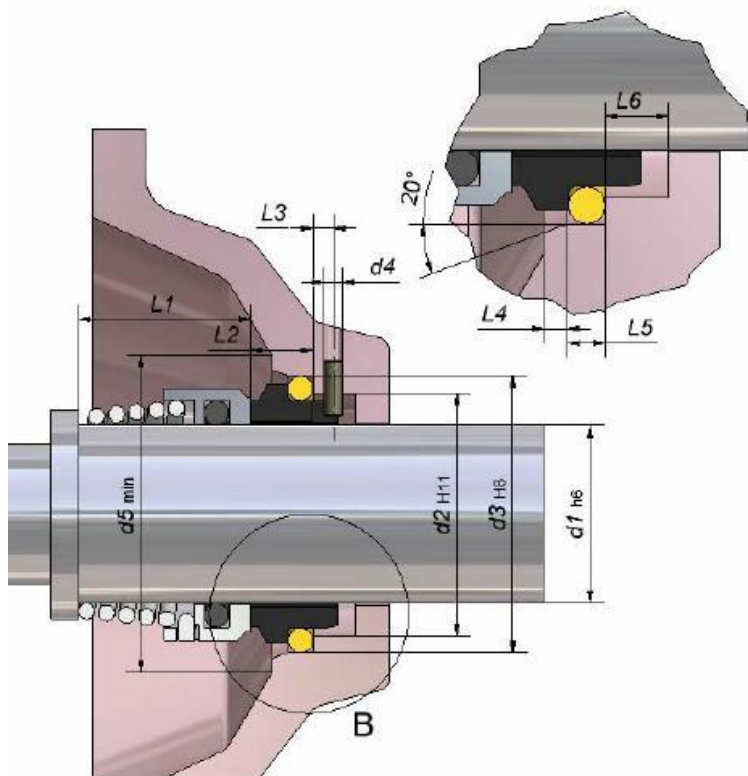
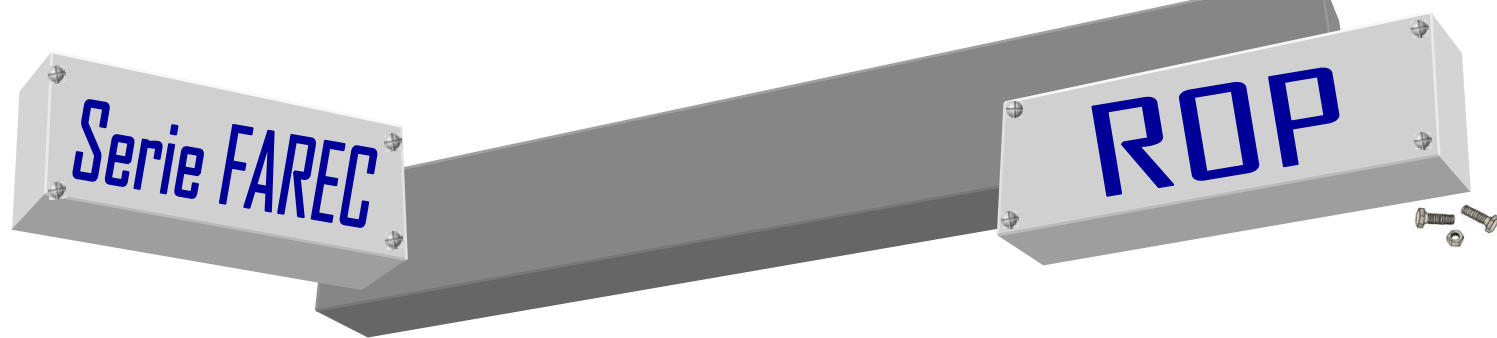
ROP4, ROP9: Modelos equivalentes al ROP2 y al ROP7, respectivamente, pero con caras de roce insertadas en el giratorio y el estacionario.



Dimensiones (mm) ROP-RDP4

| d1 | d2 | d3 | d4 | d5 | L1 | L2 | L3 | L4 | L5 | L6 |
|-------|-----|-------|-----|-----|-----|-----|-----|-----|-----|-----|
| 6 | 11 | 13.1 | 2 | 16 | 15 | 4.5 | 3.5 | 1.2 | 2 | 6 |
| 7+9 | 13 | 17.1 | 2 | 20 | 15 | 5.5 | 3.5 | 1.2 | 2.8 | 6.2 |
| 10 | 14 | 18.1 | 2 | 21 | 15 | 5.5 | 3.5 | 1.2 | 2.8 | 6.2 |
| 11+12 | 17 | 20.6 | 2 | 24 | 18 | 5.5 | 3.5 | 1.2 | 2.8 | 6.2 |
| 13+14 | 19 | 23.1 | 2 | 27 | 22 | 6 | 4 | 1.2 | 2.8 | 6.7 |
| 15 | 21 | 26.9 | 2.5 | 31 | 22 | 7 | 4 | 1.3 | 3.7 | 7.6 |
| 16+17 | 21 | 26.9 | 2.5 | 31 | 23 | 7 | 4 | 1.3 | 3.7 | 7.6 |
| 18 | 25 | 30.9 | 3 | 36 | 24 | 8 | 4.5 | 1.3 | 3.7 | 8.5 |
| 19+20 | 25 | 30.9 | 3 | 36 | 25 | 8 | 4.5 | 1.3 | 3.7 | 8.5 |
| 21+22 | 30 | 35.4 | 3.5 | 41 | 25 | 8 | 5 | 1.8 | 3.7 | 8.5 |
| 23+24 | 30 | 35.4 | 3.5 | 41 | 27 | 8 | 5 | 1.8 | 3.7 | 8.5 |
| 25+27 | 33 | 38.2 | 4 | 45 | 27 | 8.5 | 5 | 1.8 | 3.7 | 9.1 |
| 28 | 38 | 43.3 | 4 | 50 | 29 | 9 | 6 | 1.8 | 3.7 | 9.6 |
| 29+32 | 38 | 43.3 | 4 | 50 | 30 | 9 | 6 | 1.8 | 3.7 | 9.6 |
| 33+34 | 45 | 53.5 | 5 | 60 | 39 | 12 | 7.5 | 2.1 | 5.4 | 12 |
| 35+37 | 45 | 53.5 | 5 | 60 | 39 | 12 | 7.5 | 2.1 | 5.4 | 12 |
| 38+43 | 52 | 60.5 | 5 | 68 | 39 | 12 | 7.5 | 2.1 | 5.4 | 12 |
| 44+49 | 57 | 65.5 | 5 | 72 | 41 | 12 | 8.5 | 2.1 | 5.4 | 13 |
| 50 | 64 | 72.5 | 5 | 80 | 45 | 12 | 8.5 | 2.1 | 5.4 | 13 |
| 55 | 64 | 72.5 | 5 | 80 | 47 | 12 | 8.5 | 2.1 | 5.4 | 13 |
| 60 | 72 | 79.3 | 5 | 87 | 49 | 12 | 8.5 | 2.1 | 5.4 | 14 |
| 65 | 77 | 84.5 | 5 | 92 | 51 | 12 | 8.5 | 2.1 | 5.4 | 14 |
| 70 | 82 | 89.5 | 5 | 97 | 51 | 12 | 8.5 | 2.1 | 5.4 | 14 |
| 75 | 87 | 94.5 | 5 | 102 | 57 | 12 | 8.5 | 2.1 | 5.4 | 14 |
| 80 | 92 | 99.5 | 5 | 107 | 59 | 12 | 8.5 | 2.1 | 5.4 | 14 |
| 85 | 98 | 105.5 | 5 | 113 | 59 | 14 | 8.5 | 2.6 | 5.4 | 14 |
| 90 | 105 | 111.5 | 5 | 120 | 62 | 14 | 8.5 | 2.6 | 5.4 | 14 |
| 95 | 110 | 116.5 | 5 | 130 | 62 | 14 | 8.5 | 2.6 | 5.4 | 14 |
| 100 | 114 | 119.5 | 5 | 136 | 75 | 14 | 8.5 | 2.6 | 5.4 | 14 |
| 110 | 124 | 132.2 | 5 | 150 | 75 | 18 | 8.5 | 3.9 | 7.1 | 14 |
| 120 | 134 | 142.2 | 5 | 160 | 85 | 18 | 8.5 | 3.9 | 7.1 | 14 |
| 130 | 145 | 153.2 | 5 | 172 | 95 | 18 | 8.5 | 3.9 | 7.1 | 14 |
| 135 | 152 | 161.2 | 5 | 180 | 95 | 19 | 8.5 | 3.9 | 7.1 | 14 |
| 140 | 157 | 164.3 | 5 | 185 | 100 | 19 | 8.5 | 3.9 | 7.1 | 14 |
| 150 | 167 | 174.2 | 5 | 200 | 110 | 19 | 8.5 | 3.9 | 7.1 | 14 |
| 160 | 188 | 195 | 5 | 220 | 120 | 21 | 8.5 | 3.9 | 9.1 | 16 |





| Dimensiones (mm) ROP5-ROP9 | | | | | | | | | | | |
|----------------------------|-----|-----|----|-----|----|----|----|-----|----|-----|--|
| d1 | d2 | d3 | d4 | d5 | L1 | L2 | L3 | L4 | L5 | L6 | |
| 10 | 17 | 21 | 3 | 22 | 15 | 7 | 5 | 1.5 | 4 | 8.5 | |
| 12 | 19 | 23 | 3 | 24 | 18 | 7 | 5 | 1.5 | 4 | 8.5 | |
| 14 | 21 | 25 | 3 | 26 | 22 | 7 | 5 | 1.5 | 4 | 8.5 | |
| 16 | 23 | 27 | 3 | 28 | 23 | 7 | 5 | 1.5 | 4 | 8.5 | |
| 18 | 27 | 33 | 3 | 34 | 24 | 10 | 5 | 2 | 5 | 9 | |
| 20 | 29 | 35 | 3 | 36 | 25 | 10 | 5 | 2 | 5 | 9 | |
| 22 | 31 | 37 | 3 | 38 | 25 | 10 | 5 | 2 | 5 | 9 | |
| 24 | 33 | 39 | 3 | 40 | 27 | 10 | 5 | 2 | 5 | 9 | |
| 25 | 34 | 40 | 3 | 41 | 27 | 10 | 5 | 2 | 5 | 9 | |
| 28 | 37 | 43 | 3 | 44 | 29 | 10 | 5 | 2 | 5 | 9 | |
| 30 | 39 | 45 | 3 | 46 | 30 | 10 | 5 | 2 | 5 | 9 | |
| 32 | 42 | 48 | 3 | 48 | 30 | 10 | 5 | 2 | 5 | 9 | |
| 33 | 42 | 48 | 3 | 49 | 39 | 10 | 5 | 2 | 5 | 9 | |
| 35 | 44 | 50 | 3 | 51 | 39 | 10 | 5 | 2 | 5 | 9 | |
| 38 | 49 | 56 | 4 | 58 | 42 | 13 | 5 | 2 | 6 | 9 | |
| 40 | 51 | 58 | 4 | 60 | 42 | 13 | 5 | 2 | 6 | 9 | |
| 43 | 54 | 61 | 4 | 63 | 47 | 13 | 5 | 2 | 6 | 9 | |
| 45 | 56 | 63 | 4 | 65 | 47 | 13 | 5 | 2 | 6 | 9 | |
| 48 | 59 | 66 | 4 | 68 | 47 | 13 | 5 | 2 | 6 | 9 | |
| 50 | 62 | 70 | 4 | 70 | 46 | 14 | 5 | 2.5 | 6 | 9 | |
| 53 | 65 | 73 | 4 | 73 | 56 | 14 | 5 | 2.5 | 6 | 9 | |
| 55 | 67 | 75 | 4 | 75 | 56 | 14 | 5 | 2.5 | 6 | 9 | |
| 58 | 70 | 78 | 4 | 83 | 56 | 14 | 5 | 2.5 | 6 | 9 | |
| 60 | 72 | 80 | 4 | 85 | 56 | 14 | 5 | 2.5 | 6 | 9 | |
| 63 | 75 | 83 | 4 | 88 | 56 | 14 | 5 | 2.5 | 6 | 9 | |
| 65 | 77 | 85 | 4 | 90 | 66 | 14 | 5 | 2.5 | 6 | 9 | |
| 68 | 81 | 90 | 4 | 93 | 64 | 16 | 5 | 2.5 | 7 | 9 | |
| 70 | 83 | 92 | 4 | 95 | 64 | 16 | 5 | 2.5 | 7 | 9 | |
| 75 | 88 | 97 | 4 | 104 | 64 | 16 | 5 | 2.5 | 7 | 9 | |
| 80 | 95 | 105 | 4 | 109 | 72 | 18 | 5 | 3 | 7 | 9 | |
| 85 | 100 | 110 | 4 | 114 | 72 | 18 | 5 | 3 | 7 | 9 | |
| 90 | 105 | 115 | 4 | 119 | 72 | 18 | 5 | 3 | 7 | 9 | |
| 95 | 110 | 120 | 4 | 124 | 72 | 18 | 5 | 3 | 7 | 9 | |
| 100 | 115 | 125 | 4 | 129 | 72 | 18 | 5 | 3 | 7 | 9 | |

